

**ARMSTRONG<sup>®</sup>**  
**AIR COMPRESSOR**

**High Efficient Oil-Free High Pressure  
Air Compressor For PET Blowing**

24h 17 

**ARMSTRONG**  
AIR COMPRESSOR



**ARMSTRONG<sup>®</sup>**  
**AIR COMPRESSOR**

## High Efficient Oil-Free High Pressure Air Compressor For PET Blowing

Wide range of oil-free high pressure air compressor for various industries requirement in PET blowing, Pharmaceutical, Petrochemical and Industrial Gas production, etc., are also increasingly customer demand. Nanjing Hengda Compressor Co., Ltd. Specialized in the development of oil-free high pressure air compressor, produce better cost effective with superior performance and lower power consumption. The company registered national patents right (Patent No: ZL 2013 2 0189142.8 ZL 2013 2 0189784.8 ZL 2013 2 0192069.X ZL 2013 2 0189143.2 ZL 2013 2 0189137.7 ZL 2011 2 0539527.3 ZL 2011 2 0538744.0 ZL 2011 2 0538567.6 ZL 2011 3 0498610.6)

China and worldwide, we have appointed agents in Malaysia, Singapore, Thailand, Philippine, Indonesia, South Africa, North American, Australia with qualify professional engineers to provide customer technical training, assistant and after sales-service support.

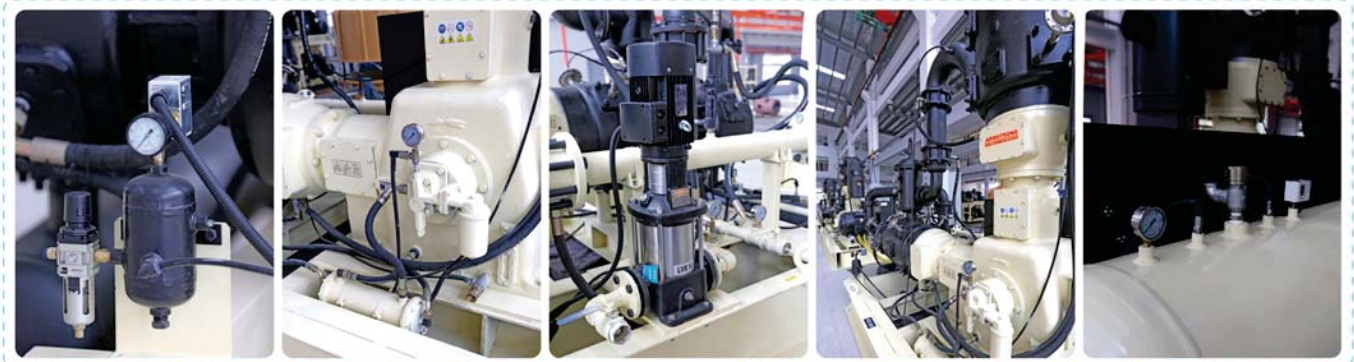
Nanjing Hengda compressor co., Ltd. can be customize the most reliable oil-free high pressure air compressor to suited oil and gas, medical, food and beverages industries.



## Easier to use and more simple maintenance

### Perfect system configuration

The machine adopts "L" shaped design, long stroke, simple structure, host components mounted on a rack, to overcome the "V" and "W" type of stroke is shorter and more complex structure shortcomings. Minimal moving parts, the second and third stage is small, and the horizontal placement, the maximum extension of the life of the piston ring.



- ★ **Low installation cost** without special foundation for fast, simple and, easy maintenance. Skid mounted V-belt driven complete with main components, lubrication, cooling water, and compressed air system.
- ★ **Control Panel:** Real time operation perimeter LCD display with integrated PLC control monitoring individual stage discharge temperature and pressure, oil lubricating and cooling water pressure, safety fault alarm and trip protection with data logging for easy trouble shooting and maintenance. With optional automatic duty/standby cycle sequence control for multi units and centralize computer monitoring.
- ★ **Safety:** Double safety protection, built-in safety valves and pressure sensors at each individual stage, an additional discharge high pressure switch protection.
- ★ **Oil cooler and direct couple oil lubrication pump, optional crankcase oil heater** configure to customer requirement.
- ★ **Booster water pump, to ensure sufficient pressure/flow to water-cool system.** Water-cooled intercooler and after-cooler at each stage, integrated with automatic timer condensate drain.



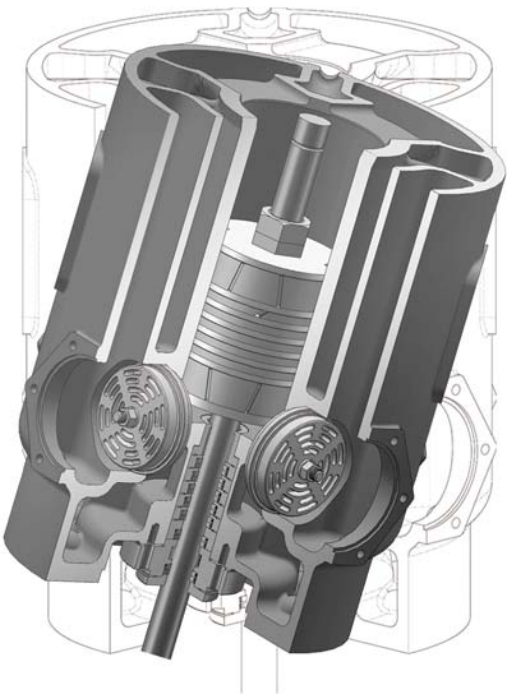
### Optional energy-saving equipment

- ★ **Drive:** By installing the drive on the compressor, he compressor effectively eliminate or reduce working hours in the unloaded state (unloaded state will consume energy, not to produce compressed air), designed so that the host is in the low rpm operation, reducing power consumption up to 30~50%.
- ★ **Blowing gas recovery:** If you want to waste gas compressor air blowing machine produced 0.5~1.4 MPa in for recycling, we can design a special device, compressed air sent to this parts of second or third level, increase it as press, pressure 4.0 MPa or blowing pressure you need to make both the high-pressure oil-free booster fuction. After modification 1m3/min of compressed air energy saving 4.4~5.6 Kw, once converted into a large.

## Environmental friendly air compressors with higher efficiency at lower cost

### Products main advantages: Lowest speed oil-free high pressure air compressor

The oil-free high pressure air compressor core parts Polytertrafluoroethylene (PTFE) piston rings has been proven reliable in PET industry with 24 hours continuous operations. Hengda company experienced technical team, design engineering focus on low speed, low piston load with specific operating temperature to optimism piston rings life span and other moving components.



- ★ **Low Speed:** From 355 ~ 460 rpm
- ★ **Piston Stroke:** 10 ~ 30% more as compare with similar industry
- ★ **Piston Load:** long stroke and small piston diameter, reduce pistons load
- ★ **Discharge temperature** between 90~130 °C, greatly extend the life span of the discharge valves, packing seal, piston rings and other wearing parts
- ★ **Increased the number of piston rings:** each level and more with 1-3 rings, reduced compression lost of each stage, increased air delivery
- ★ **Low vibration:** Precise well balance machined components to achieved dynamic balance and reduces vibration
- ★ **Isobaric ratio:** Precise compression design, with equal pressure ratio at each individual stage to improve volumetric efficiency, reduce energy consumption significantly
- ★ **Compression Stage:** Three stage design, with double-acting cylinder on first stage, and single-acting cylinders on second and third stage
- ★ **Each stage has a high efficiency chiller,** the compression cycle nearly isothermal compression, reducing the power loss



## High Efficient Oil-Free High Pressure Air Compressor For PET Blowing

### Technical Parameters

Package Model	Bare Model	Delivery FAD (m <sup>3</sup> /min)	Pressure (MPa)	Speed (r/min)	Power (kw)
61HLW-8.5/40	HW08A	8.5	4.0	460	90
61HLW-10/40	HW08A	10	4.0	550	110
58HLW-10/40	HW12B	10	4.0	355	110
58HLW-12.5/40	HW12B	12.5	4.0	450	132
58HLW-15/40	HW12B	15	4.0	520	160
60HLW-18/40	HW22A	18	4.0	375	200
60HLW-22/40	HW22A	22	4.0	455	250

### Important Options

The unit uses a water-cooled water temperature is required, to be provided with water cooling system

- ★ Evaporative cooling towers
- ★ Cooled heat pumps, automatic spray system, the environment for up to 32°C



### Other Options

- ★ 4.0 MPa refrigerated air dryer (water/air cool), dew point alarm, integrated early filtration system (option)
- ★ 4.0 MPa tank (China national standards GB150, ASME or stainless steel tank (optional)
- ★ Oil Heater (optional)
- ★ 4.0 MPa check valve (optional)
- ★ IP55 motor (optional)

